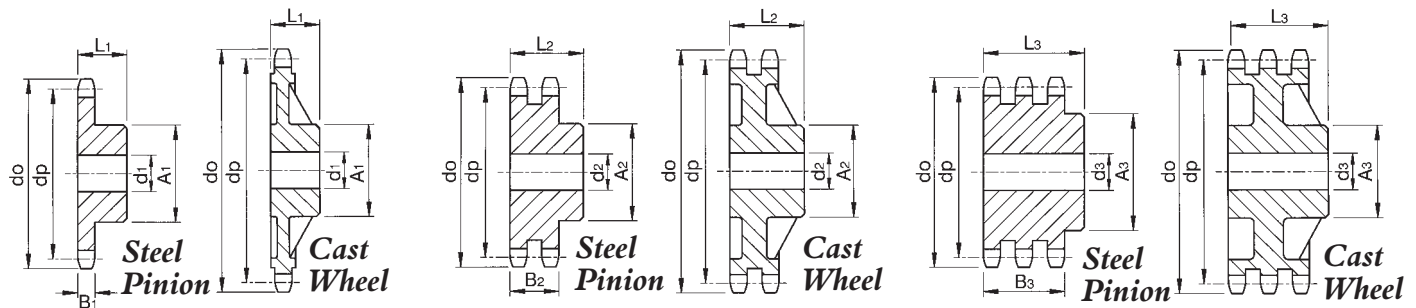


Standard Sprockets for $\frac{3}{8}$ " Pitch British Standard Chains Type 06B

Conforming to ISO Std 606



Simplex Sprockets

Chain No. 06B-1
Pitch 9.525mm
Roller Dia. 6.35mm
Inside Width 5.72mm
Overall Width 15.0mm
Tooth Width B₁ 5.3mm

Duplex Sprockets

Chain No. 06B-2
Pitch 9.525mm
Roller Dia. 6.35mm
Inside Width 5.72mm
Overall Width 25.1mm
Tooth Width B₂ 15.4mm

Triplex Sprockets

Chain No. 06B-3
Pitch 9.525mm
Roller Dia. 6.35mm
Inside Width 5.72mm
Overall Width 35.0mm
Tooth Width B₃ 25.6mm

No. Teeth Z	Pitch Circle Ø dp	Outside Ø do	Simplex Sprocket						Duplex Sprocket						Triplex Sprocket					
			Cat. No.	Min. † Bore d ₁	Max. Bore d ₁	L.T.B. L ₁	Hub Ø A ₁	App. Weight kg	Cat. No.	Min. † Bore d ₂	Max. Bore d ₂	L.T.B. L ₂	Hub Ø A ₂	App. Weight kg	Cat. No.	Min. † Bore d ₃	Max. Bore d ₃	L.T.B. L ₃	Hub Ø A ₃	App. Weight kg
Steel Pinions																				
8	24.89	28.0	06B1-08	8	10	22	15	.03	06B2-08	8	10	22	15	.04	06B3-08	8	10	32	15	.05
9	27.85	31.0	06B1-09	8	12	22	18	.05	06B2-09	8	12	22	18	.05	06B3-09	8	12	32	18	.07
10	30.82	34.0	06B1-10	8	13	22	20	.06	06B2-10	8	13	22	20	.07	06B3-10	8	13	32	20	.09
11	33.80	37.0	06B1-11	8	14	25	22	.08	06B2-11	10	14	25	22	.09	06B3-11	12	14	35	22	.12
12	36.80	40.0	06B1-12	8	16	25	25	.11	06B2-12	10	16	25	25	.12	06B3-12	12	16	35	25	.15
13	39.79	43.0	06B1-13	10	19	25	28	.13	06B2-13	10	19	25	28	.14	06B3-13	12	19	35	28	.19
14	42.80	46.3	06B1-14	10	20	25	31	.16	06B2-14	10	20	25	31	.17	06B3-14	12	20	35	31	.24
15	42.80	49.3	06B1-15	10	23	25	34	.19	06B2-15	10	23	25	34	.21	06B3-15	12	23	35	34	.28
16	48.82	52.3	06B1-16	10	25	28	37	.24	06B2-16	12	25	30	37	.27	06B3-16	12	25	35	37	.33
17	51.83	55.3	06B1-17	10	27	28	40	.29	06B2-17	12	27	30	40	.32	06B3-17	12	27	35	40	.39
18	54.85	58.3	06B1-18	10	29	28	43	.33	06B2-18	12	29	30	43	.37	06B3-18	12	29	35	43	.45
19	57.87	61.3	06B1-19	10	30	28	45	.37	06B2-19	12	31	30	46	.42	06B3-19	12	31	35	46	.51
20	60.89	64.3	06B1-20	10	31	28	46	.39	06B2-20	12	33	30	49	.48	06B3-20	12	33	35	49	.58
21	63.91	68.0	06B1-21	12	32	28	48	.42	06B2-21	16	35	30	52	.52	06B3-21	16	35	40	52	.70
22	66.93	71.0	06B1-22	12	34	28	50	.46	06B2-22	16	36	30	55	.58	06B3-22	16	36	40	55	.79
23	69.95	73.5	06B1-23	12	35	28	52	.50	06B2-23	16	38	30	58	.65	06B3-23	16	38	40	58	.88
24	72.97	77.0	06B1-24	12	36	28	54	.54	06B2-24	16	40	30	61	.72	06B3-24	16	40	40	61	.97
25	76.00	80.0	06B1-25	12	38	28	57	.61	06B2-25	16	43	30	64	.79	06B3-25	16	43	40	64	1.07
26	79.02	83.0	06B1-26	12	40	28	60	.67	06B2-26	16	44	30	67	.87	06B3-26	16	44	40	67	1.17
27	82.05	86.0	06B1-27	12	40	28	60	.73	06B2-27	16	46	30	70	.95	06B3-27	16	46	40	70	1.28
28	85.07	89.0	06B1-28	12	40	28	60	.81	06B2-28	16	48	30	73	1.03	06B3-28	16	48	40	73	1.39
29	88.09	92.0	06B1-29	12	40	28	60	.88	06B2-29	16	50	30	76	1.12	06B3-29	16	50	40	76	1.51
30	91.12	94.7	06B1-30	12	40	30	60	.92	06B2-30	16	53	30	79	1.21	06B3-30	16	53	40	79	1.63
31	94.15	98.3	06B1-31	14	43	30	65	.97	06B2-31	16	54	30	80	1.27	06B3-31	16	54	40	80	1.72
32	97.17	101.3	06B1-32	14	43	30	65	.99	06B2-32	16	54	30	80	1.32	06B3-32	16	54	40	80	1.81
33	100.20	104.3	06B1-33	14	43	30	65	1.01	06B2-33	16	54	30	80	1.38	06B3-33	16	54	40	80	1.90
34	103.23	107.3	06B1-34	14	43	30	65	1.03	06B2-34	16	54	30	80	1.43	06B3-34	16	57	40	85	2.06
35	106.26	110.4	06B1-35	14	43	30	65	1.05	06B2-35	16	54	30	80	1.49	06B3-35	16	57	40	85	2.16
36	109.29	113.4	06B1-36	16	46	30	70	1.07	06B2-36	16	60	30	90	1.55	06B3-36	16	60	40	90	2.23
37	112.32	116.4	06B1-37	16	46	30	70	1.09	06B2-37	16	60	30	90	1.61	06B3-37	16	60	40	90	2.43
38	115.35	119.5	06B1-38	16	46	30	70	1.11	06B2-38	16	60	30	90	1.67	06B3-38	16	60	40	90	2.62
39	118.37	122.5	06B1-39	16	46	30	70	1.13	06B2-39	16	60	30	90	1.74	06B3-39	16	60	40	90	2.72
40	121.40	125.5	06B1-40	16	46	30	70	1.16	06B2-40	16	60	30	90	1.80	06B3-40	16	60	40	90	2.92
42	127.46	131.6	06B1-42	16	54	32	*80	1.50	06B2-42	20	60	40	*90	2.54	06B3-42	20	60	56	*90	3.70
45	136.55	140.7	06B1-45	16	54	32	*80	1.58	06B2-45	20	60	40	*90	2.76	06B3-45	20	60	56	*90	4.06
48	145.64	149.7	06B1-48	20	54	32	*80	1.63	06B2-48	20	60	40	*90	2.99	06B3-48	20	60	56	*90	4.45
50	151.69	155.7	06B1-50	20	54	32	*80	1.69	06B2-50	20	60	40	*90	3.16	06B3-50	20	60	56	*90	4.72
57	172.91	176.9	06B1-57	20	54	32	*80	1.91	06B2-57	20	60	40	*90	3.79	06B3-57	20	60	56	*90	5.78
60	182.00	186.0	06B1-60	20	54	32	*80	2.01	06B2-60	20	60	40	*90	4.09	06B3-60	20	60	56	*90	6.28
Cast Iron Wheels																				
57	172.91	176.9	06B1-57	19	42	32	70	1.60	06B2-57	19	48	40	80	2.50	06B3-57	23	54	56	90	3.60
76	230.49	234.9	06B1-76	19	42	32	70	2.10	06B2-76	19	48	40	80	3.10	06B3-76	23	60	56	100	4.00
95	288.08	292.5	06B1-95	19	48	40	80	3.50	06B2-95	19	54	45	90	4.60	06B3-95	23	60	56	100	6.50
114	345.68	349.6	06B1-114	19	48	40	80	4.20	06B2-114	19	54	45	90	5.30	06B3-114	23	60	56	100	8.00
150	454.82	459.2	06B1-150	23	54	45	90	9.00	06B2-150	23	60	50	100	10.50	06B3-150	23	75	60	125	14.00

All dimensions in mm.

†Min. toleranced bore which can be machined in sprocket.

Steel Pinions 8 to 40 tooth minimum U.T.S. 600N/mm² - Above 40T - 410N/mm²

Stock Sprockets can be reworked to customers bore and keyway requirements, on 48 hour service.

Steel pinions 8 to 40 tooth can be supplied with teeth induction hardened to 45Rc.

*Sprockets with an asterisk on hub Ø may be of fabricated construction.

Tel +44(0) 121 360 0155

Fax +44(0) 121 325 1079

Email sales@crossmorse.com

Standard Sprockets for 1/2" Pitch Narrow Series Roller Chains

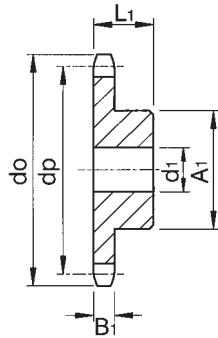


Email sales@crossmorse.com

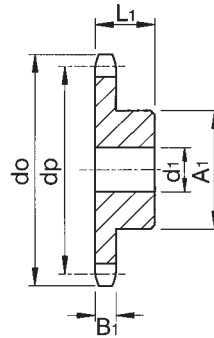
Fax +44(0) 121 325 1079

Fax +44(0) 121 360 0155

Tel +44(0) 121 360 0155



Chain No. 081
Pitch 12.7mm
Roller Dia. 7.75mm
Inside Width 3.3mm
Tooth Width B 3.0mm



Chain No. 083
Pitch 12.7mm
Roller Dia. 7.75mm
Inside Width 4.88mm
Tooth Width B 4.5mm

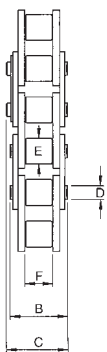
No. Teeth Z	Pitch Circle Ø dp	Outside Ø do	Simplex Sprocket for 081 Chain						Sprockets for 083 Chain					
			Cat. No.	Min. † Bore d ₁	Max. Bore d ₁	L.T.B. L ₁	Hub Ø A ₁	App. Weight kg	Cat. No.	Min. † Bore d ₁	Max. Bore d ₁	L.T.B. L ₁	Hub Ø A ₁	App. Weight kg
Steel Pinions														
8	33.18	37.2	081-08	8	13	14	21	.04	083-08	8	13	14	21	.04
9	37.13	41.5	081-09	8	16	14	25	.06	083-09	8	16	14	25	.06
10	41.10	46.2	081-10	8	19	14	28	.08	083-10	8	19	14	28	.08
11	45.07	49.6	081-11	8	20	16	31	.10	083-11	8	20	16	31	.11
12	49.07	53.9	081-12	8	24	16	35	.13	083-12	8	24	16	35	.14
13	53.06	58.4	081-13	8	26	16	39	.16	083-13	8	26	16	39	.17
14	57.07	62.8	081-14	8	29	16	43	.19	083-14	8	29	16	43	.20
15	61.09	66.8	081-15	8	31	16	47	.23	083-15	8	31	16	47	.24
16	65.10	70.9	081-16	10	34	18	50	.29	083-16	10	34	18	50	.30
17	69.11	74.9	081-17	10	34	18	50	.31	083-17	10	34	18	50	.32
18	73.14	78.9	081-18	10	34	18	50	.32	083-18	10	34	18	50	.33
19	77.16	82.9	081-19	10	34	18	50	.34	083-19	10	34	18	50	.34
20	81.19	86.9	081-20	10	34	18	50	.35	083-20	10	34	18	50	.36
21	85.22	91.0	081-21	12	40	20	60	.49	083-21	12	40	20	60	.51
22	89.24	95.0	081-22	12	40	20	60	.51	083-22	12	40	20	60	.53
23	93.27	99.0	081-23	12	40	20	60	.53	083-23	12	40	20	60	.55
24	97.29	103.0	081-24	12	40	20	60	.55	083-24	12	40	20	60	.57
25	101.33	107.1	081-25	12	40	20	60	.57	083-25	12	40	20	60	.59
26	105.36	111.2	081-26	16	46	20	70	.68	083-26	16	46	20	70	.72
27	109.40	115.4	081-27	16	46	20	70	.70	083-27	16	46	20	70	.74
28	113.42	119.4	081-28	16	46	20	70	.72	083-28	16	46	20	70	.77
29	117.46	123.4	081-29	16	46	20	70	.74	083-29	16	46	20	70	.79
30	121.50	127.5	081-30	16	46	20	70	.75	083-30	16	46	20	70	.82
31	125.54	131.5	081-31	16	46	20	70	.77	083-31	16	46	20	70	.84
32	129.56	135.5	081-32	16	46	20	70	.78	083-32	16	46	20	70	.87
33	133.60	139.6	081-33	16	46	20	70	.80	083-33	16	46	20	70	.90
34	137.64	143.6	081-34	16	46	20	70	.82	083-34	16	46	20	70	.93
35	141.68	147.6	081-35	16	46	20	70	.85	083-35	16	46	20	70	.96
36	145.72	151.7	081-36	16	46	25	70	1.00	083-36	16	46	25	70	1.13
37	149.76	155.7	081-37	16	46	25	70	1.02	083-37	16	46	25	70	1.16
38	153.80	159.8	081-38	16	46	25	70	1.05	083-38	16	46	25	70	1.20
39	157.83	163.8	081-39	16	46	25	70	1.08	083-39	16	46	25	70	1.23
40	161.87	167.8	081-40	16	46	25	70	1.10	083-40	16	46	25	70	1.26

All dimensions in mm. Material:-Steel Pinions 8 to 40 tooth minimum U.T.S. 600N/mm² - Above 40T - 410N/mm²

Stock Sprockets can be reworked to customers bore and keyway requirements.

†Min. tolerance bore which can be machined in sprocket.

Steel pinions 8 to 40 tooth can be supplied with teeth induction hardened to 45Rc.



Chains for Sprocket Types 081, 083 and 08L

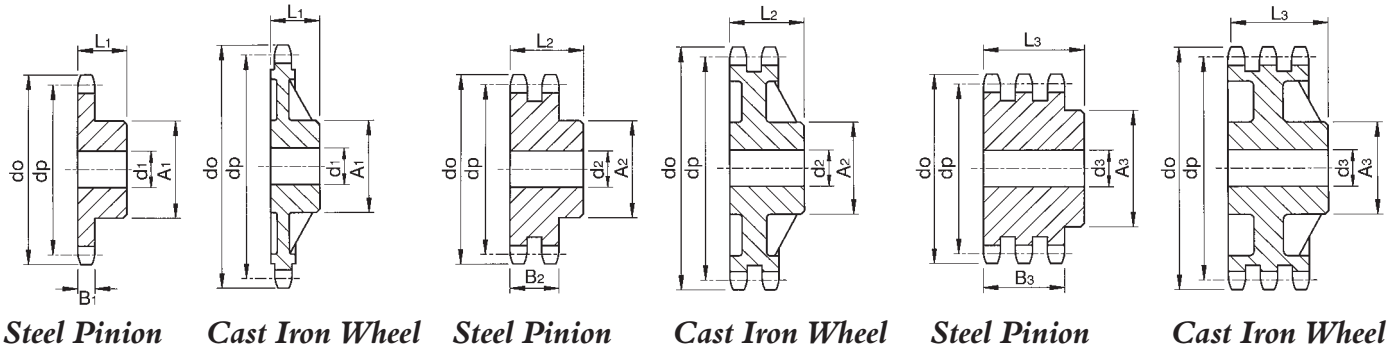
Sprocket Ref.	Chain Ref.	Pin Length B	Overall Width C	Pin Diameter D	Roller Diameter E	Inside Width F	Ultimate Strength N	Weight per Metre kg
081	081	10.2	11.7	3.60	7.75	3.30	8,200	0.28
083	083	12.9	14.4	4.09	7.75	4.88	12,000	0.42
	084	14.5	16.3	4.09	7.75	4.88	16,000	0.59
	08N	10.9	13.7	3.60	7.75	4.88	8,200	0.33

Standard Sprockets for 1/2" Pitch British Standard Chains Type 08B

Conforming to ISO Std 606



Tel +44(0) 121 360 0155 Fax +44(0) 121 325 1079 Email sales@crossmorse.com



Simplex Sprockets

Chain No. 08B-1
Pitch 12.7mm
Roller Dia. 8.51mm
Inside Width 7.75mm
Overall Width 18.3mm
Tooth Width B₁ 7.2mm

Duplex Sprockets

Chain No. 08B-2
Pitch 12.7mm
Roller Dia. 8.51mm
Inside Width 7.75mm
Overall Width 32.1mm
Tooth Width B₂ 21.0mm

Triplex Sprockets

Chain No. 08B-3
Pitch 12.7mm
Roller Dia. 8.51mm
Inside Width 7.75mm
Overall Width 46.1mm
Tooth Width B₃ 34.9mm

No. Teeth Z	Pitch Circle Ø dp	Outside Ø do	Simplex Sprocket						Duplex Sprocket						Triplex Sprocket					
			Cat. No.	Min.† Bore d ₁	Max. Bore d ₁	L.T.B. L ₁	Hub Ø A ₁	App. Weight kg	Cat. No.	Min.† Bore d ₂	Max. Bore d ₂	L.T.B. L ₂	Hub Ø A ₂	App. Weight kg	Cat. No.	Min.† Bore d ₃	Max. Bore d ₃	L.T.B. L ₃	Hub Ø A ₃	App. Weight kg
Steel Pinions																				
8	33.18	37.2	08B1-08	10	13	25	20	.07	08B2-08	10	13	32	20	.10	08B3-08	10	13	46	20	.14
9	37.13	41.0	08B1-09	10	15	25	24	.10	08B2-09	10	15	32	24	.13	08B3-09	12	15	46	24	.18
10	41.10	45.2	08B1-10	10	17	25	26	.12	08B2-10	10	19	32	28	.18	08B3-10	12	19	46	28	.25
11	45.07	48.7	08B1-11	10	20	25	29	.15	08B2-11	12	21	35	32	.24	08B3-11	16	21	50	32	.31
12	49.07	53.0	08B1-12	10	22	28	33	.21	08B2-12	12	24	35	35	.30	08B3-12	16	24	50	35	.39
13	53.06	57.4	08B1-13	10	25	28	37	.26	08B2-13	12	26	35	38	.36	08B3-13	16	26	50	38	.49
14	57.07	61.8	08B1-14	10	27	28	41	.32	08B2-14	12	28	35	42	.44	08B3-14	16	28	50	42	.60
15	61.09	65.5	08B1-15	10	30	28	45	.39	08B2-15	12	31	35	46	.52	08B3-15	16	31	50	46	.72
16	65.10	69.5	08B1-16	12	34	28	50	.46	08B2-16	14	34	35	50	.63	08B3-16	16	34	50	50	.85
17	69.11	73.6	08B1-17	12	35	28	52	.51	08B1-17	14	36	35	54	.74	08B3-17	16	36	50	54	.99
18	73.14	77.8	08B1-18	12	37	28	56	.59	08B2-18	14	38	35	58	.85	08B3-18	16	38	50	58	1.14
19	77.16	81.7	08B1-19	12	40	28	60	.67	08B2-19	14	41	35	62	.97	08B3-19	16	41	50	62	1.30
20	81.19	85.8	08B1-20	12	43	28	64	.76	08B2-20	14	44	35	66	1.10	08B3-20	16	44	50	66	1.47
21	85.22	89.7	08B1-21	14	45	28	68	.84	08B2-21	16	46	40	70	1.29	08B3-21	20	46	55	70	1.75
22	89.24	93.8	08B1-22	14	46	28	70	.91	08B2-22	16	46	40	70	1.38	08B3-22	20	46	55	70	1.88
23	93.27	98.2	08B1-23	14	46	28	70	.94	08B2-23	16	46	40	70	1.46	08B3-23	20	46	55	70	2.03
24	97.29	101.8	08B1-24	14	46	28	70	.97	08B2-24	16	50	40	75	1.64	08B3-24	20	50	55	75	2.27
25	101.33	105.8	08B1-25	14	46	28	70	1.00	08B2-25	16	54	40	80	1.83	08B3-25	20	54	55	80	2.52
26	105.36	110.0	08B1-26	16	46	30	70	1.09	08B2-26	20	57	40	85	1.99	08B3-26	20	57	55	85	2.79
27	109.40	114.0	08B1-27	16	46	30	70	1.12	08B2-27	20	57	40	85	2.09	08B3-27	20	57	55	85	2.96
28	113.42	118.0	08B1-28	16	46	30	70	1.16	08B2-28	20	60	40	90	2.30	08B3-28	20	60	55	90	3.25
29	117.46	122.0	08B1-29	16	54	30	80	1.41	08B2-29	20	63	40	95	2.52	08B3-29	20	63	55	95	3.55
30	121.50	126.1	08B1-30	16	54	30	80	1.45	08B2-30	20	67	40	100	2.76	08B3-30	20	67	55	100	3.87
31	125.54	130.2	08B1-31	16	60	30	90	1.74	08B2-31	20	67	40	100	2.88	08B3-31	20	74	55	110	4.33
32	129.56	134.3	08B1-32	16	60	30	90	1.78	08B2-32	20	67	40	100	3.00	08B3-32	20	74	55	110	4.54
33	133.60	138.4	08B1-33	16	60	30	90	1.83	08B2-33	20	67	40	100	3.13	08B3-33	20	74	55	110	4.75
34	137.64	142.6	08B1-34	16	60	30	90	1.87	08B2-34	20	67	40	100	3.26	08B3-34	20	74	55	110	4.87
35	141.68	146.7	08B1-35	16	60	30	90	1.92	08B2-35	20	67	40	100	3.40	08B3-35	20	74	55	110	5.20
36	145.72	151.0	08B1-36	20	60	35	90	2.18	08B2-36	20	67	40	100	3.55	08B3-36	25	80	55	120	5.64
37	149.76	154.6	08B1-37	20	60	35	90	2.23	08B2-37	20	67	40	100	3.69	08B3-37	25	80	55	120	5.89
38	153.80	158.6	08B1-38	20	60	35	90	2.28	08B2-38	20	67	40	100	3.84	08B3-38	25	80	55	120	6.14
39	157.83	162.7	08B1-39	20	60	35	90	2.33	08B2-39	20	67	40	100	4.00	08B3-39	25	80	55	120	6.39
40	161.87	166.8	08B1-40	20	60	35	90	2.38	08B2-40	20	67	40	100	4.16	08B3-40	25	80	55	120	6.66
42	169.94	175.4	08B1-42	20	60	40	*90	2.74	08B2-42	20	74	50	*110	5.46	08B3-42	25	74	60	*110	7.29
45	182.06	188.0	08B1-45	20	60	40	*90	2.93	08B2-45	20	74	50	*110	6.01	08B3-45	25	74	60	*110	8.20
48	194.18	200.3	08B1-48	20	60	40	*90	3.14	08B2-48	20	74	50	*110	6.60	08B3-48	25	74	60	*110	9.17
50	202.26	208.3	08B1-50	20	60	40	*90	3.27	08B2-50	20	74	50	*110	7.00	08B3-50	25	74	60	*110	9.83
57	230.54	236.4	08B1-57	20	60	40	*90	3.80	08B2-57	25	74	50	*110	8.48	08B3-57	25	74	60	*110	12.41
60	242.66	248.6	08B1-60	20	60	40	*90	4.05	08B2-60	25	74	50	*110	9.21	08B3-60	25	74	60	*110	13.62
Cast Iron Wheels																				
57	230.54	236.4	08B1-57	19	42	40	70	2.40	08B2-57	23	54	50	90	4.40	08B3-57	23	60	60	100	6.70
76	307.32	313.3	08B1-76	23	48	40	80	4.10	08B2-76	23	60	56	100	6.40	08B3-76	23	60	60	100	8.20
95	384.11	390.1	08B1-95	23	48	45	80	5.40	08B2-95	23	60	56	100	8.80	08B3-95	23	72	67	120	12.80
114	460.91	466.9	08B1-114	23	54	45	90	7.10	08B2-114	23	60	63	100	10.20	08B3-114	23	72	67	120	16.50

All dimensions in mm.

†Min. tolerated bore which can be machined in sprocket.

Steel Pinions 8 to 40 tooth minimum U.T.S. 600N/mm² - Above 40T - 410N/mm²

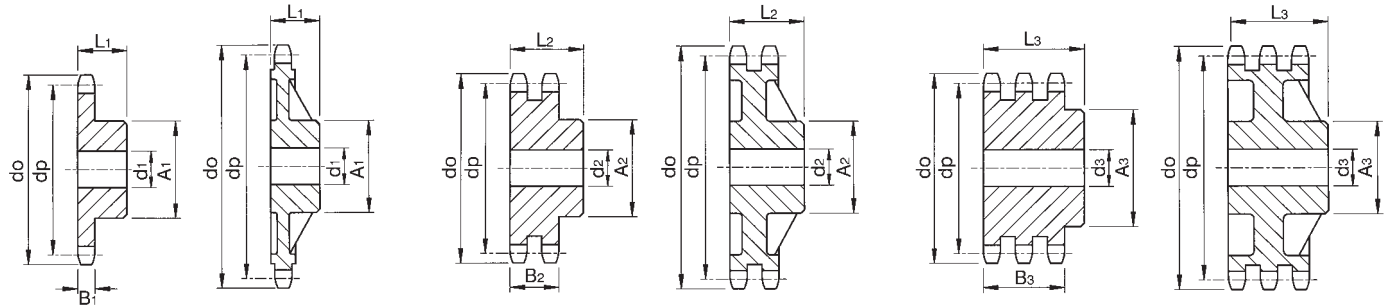
Stock Sprockets can be reworked to customers bore and keyway requirements, on 48 hour service.

Steel pinions 8 to 40 tooth can be supplied with teeth induction hardened to 45Rc.

*Sprockets with an asterisk on hub Ø may be of fabricated construction.

Standard Sprockets for 5/8" Pitch British Standard Chains Type 10B

Conforming to ISO Std 606



Steel Pinion Cast Iron Wheel Steel Pinion Cast Iron Wheel Steel Pinion Cast Iron Wheel

Simplex Sprockets

Chain No. 10B-1
Pitch 15.875mm
Roller Dia. 10.16mm
Inside Width 9.52mm
Overall Width 20.8mm
Tooth Width B₁ 9.1mm

Duplex Sprockets

Chain No. 10B-2
Pitch 15.875mm
Roller Dia. 10.16mm
Inside Width 9.52mm
Overall Width 37.6mm
Tooth Width B₂ 25.5mm

Triplex Sprockets

Chain No. 10B-3
Pitch 15.875mm
Roller Dia. 10.16mm
Inside Width 9.52mm
Overall Width 54.1mm
Tooth Width B₃ 42.1mm

No. Teeth Z	Pitch Circle Ø dp	Outside Ø do	Simplex Sprocket					Duplex Sprocket					Triplex Sprocket							
			Cat. No.	Min. † Bore d ₁	Max. Bore d ₁	L.T.B. L ₁	Hub Ø A ₁	App. Weight kg	Cat. No.	Min. † Bore d ₂	Max. Bore d ₂	L.T.B. L ₂	Hub Ø A ₂	App. Weight kg	Cat. No.	Min. † Bore d ₃	Max. Bore d ₃	L.T.B. L ₃	Hub Ø A ₃	App. Weight kg
Steel Pinions																				
8	41.48	47.0	10B1-08	10	16	25	25	.12	10B2-08	12	16	40	25	.19	10B3-08	12	16	55	25	.27
9	46.42	52.6	10B1-09	10	20	25	30	.17	10B2-09	12	20	40	30	.27	10B3-09	12	20	55	30	.38
10	51.37	57.5	10B1-10	10	24	25	35	.22	10B2-10	12	24	40	35	.36	10B3-10	16	24	55	35	.47
11	56.34	63.0	10B1-11	12	25	30	37	.29	10B2-11	14	26	40	39	.43	10B3-11	16	26	55	39	.61
12	61.34	68.0	10B1-12	12	28	30	42	.38	10B2-12	14	29	40	44	.55	10B3-12	16	29	55	44	.78
13	66.32	73.0	10B1-13	12	31	30	47	.47	10B2-13	14	33	40	49	.68	10B3-13	16	33	55	49	.95
14	71.34	78.0	10B1-14	12	35	30	52	.56	10B2-14	14	36	40	54	.82	10B3-14	16	36	55	54	1.15
15	76.36	83.0	10B1-15	12	38	30	57	.67	10B2-15	14	39	40	59	.97	10B3-15	16	39	55	59	1.37
16	81.37	88.0	10B1-16	14	40	30	60	.76	10B2-16	16	43	45	64	1.26	10B3-16	16	43	60	64	1.72
17	86.39	93.0	10B1-17	14	40	30	60	.80	10B2-17	16	46	45	69	1.46	10B3-17	16	46	60	69	1.98
18	91.42	98.3	10B1-18	14	46	30	70	1.02	10B2-18	16	49	45	74	1.67	10B3-18	16	49	60	74	2.27
19	96.45	103.3	10B1-19	14	46	30	70	1.07	10B2-19	16	53	45	79	1.90	10B3-19	16	53	60	79	2.58
20	101.49	108.4	10B1-20	14	50	30	75	1.21	10B2-20	16	56	45	84	2.14	10B3-20	16	56	60	84	2.90
21	106.52	113.4	10B1-21	16	50	30	75	1.25	10B2-21	16	57	45	85	2.27	10B3-21	20	57	60	85	3.12
22	111.55	118.0	10B1-22	16	54	30	80	1.40	10B2-22	16	60	45	90	2.54	10B3-22	20	60	60	90	3.48
23	116.58	123.4	10B1-23	16	54	30	80	1.46	10B2-23	16	63	45	95	2.82	10B3-23	20	63	60	95	3.85
24	121.62	128.3	10B1-24	16	54	30	80	1.53	10B2-24	16	67	45	100	3.11	10B3-24	20	67	60	100	4.25
25	126.66	134.0	10B1-25	16	54	30	80	1.59	10B2-25	16	70	45	105	3.42	10B3-25	20	70	60	105	4.66
26	131.70	139.0	10B1-26	20	57	35	85	1.82	10B2-26	20	74	45	110	3.74	10B3-26	20	74	60	110	5.10
27	136.75	144.0	10B1-27	20	57	35	85	1.89	10B2-27	20	74	45	110	3.94	10B3-27	20	74	60	110	5.43
28	141.78	148.7	10B1-28	20	60	35	90	2.24	10B2-28	20	77	45	115	4.28	10B3-28	20	77	60	115	5.89
29	146.83	153.8	10B1-29	20	60	35	90	2.31	10B2-29	20	77	45	115	4.49	10B3-29	20	77	60	115	6.24
30	151.87	158.8	10B1-30	20	60	35	90	2.39	10B2-30	20	80	45	120	4.86	10B3-30	20	80	60	120	6.74
31	156.92	163.9	10B1-31	20	63	35	95	2.62	10B2-31	20	80	45	*120	5.09	10B3-31	20	80	60	*120	7.12
32	161.95	168.9	10B1-32	20	63	35	95	2.71	10B2-32	20	80	45	*120	5.33	10B3-32	20	80	60	*120	7.51
33	167.00	174.5	10B1-33	20	63	35	95	2.79	10B2-33	20	80	45	*120	5.58	10B3-33	20	80	60	*120	7.92
34	172.05	179.0	10B1-34	20	63	35	95	2.88	10B2-34	20	80	45	*120	5.83	10B3-34	20	80	60	*120	8.34
35	177.10	184.1	10B1-35	20	63	35	95	2.98	10B2-35	20	80	45	*120	6.10	10B3-35	20	80	60	*120	8.78
36	182.15	189.1	10B1-36	20	67	35	100	3.23	10B2-36	20	80	45	*120	6.37	10B3-36	25	80	60	*120	9.14
37	187.20	194.2	10B1-37	20	67	35	100	3.33	10B2-37	20	80	45	*120	6.65	10B3-37	25	80	60	*120	9.60
38	192.24	199.2	10B1-38	20	67	35	100	3.43	10B2-38	20	80	45	*120	6.93	10B3-38	25	80	60	*120	10.10
39	197.29	204.2	10B1-39	20	67	35	100	3.53	10B2-39	20	80	45	*120	7.23	10B3-39	25	80	60	*120	10.60
40	202.34	209.3	10B1-40	20	67	35	100	3.64	10B2-40	20	80	45	*120	7.53	10B3-40	25	80	60	*120	11.10
42	212.43	219.9	10B1-42	20	67	40	*100	4.23	10B2-42	20	87	50	*130	9.01	10B3-42	25	87	60	*130	12.40
45	227.58	235.0	10B1-45	20	67	40	*100	4.59	10B2-45	20	87	50	*130	10.03	10B3-45	25	87	60	*130	14.07
48	242.73	250.2	10B1-48	20	67	40	*100	4.99	10B2-48	25	87	50	*130	11.06	10B3-48	25	87	60	*130	15.87
50	252.82	260.3	10B1-50	20	67	40	*100	5.26	10B2-50	25	87	50	*130	11.82	10B3-50	25	87	60	*130	17.13
57	288.18	296.0	10B1-57	25	67	40	*100	6.27	10B2-57	25	87	50	*130	14.79	10B3-57	25	87	60	*130	22.00
60	303.33	310.8	10B1-60	25	67	50	*100	7.33	10B2-60	25	87	63	*130	17.46	10B3-60	25	87	67	*130	24.95
Cast Iron Wheels																				
57	288.18	296.0	10B1-57	23	54	45	90	4.30	10B2-57	29	60	56	100	7.50	10B3-57	31	60	63	100	9.30
76	384.15	392.1	10B1-76	23	54	50	90	6.50	10B2-76	29	60	63	100	9.30	10B3-76	34	66	67	110	14.20
95	480.14	488.5	10B1-96	23	60	56	100	9.20	10B2-95	29	66	63	110	10.50	10B3-95	34	75	70	125	18.50
114	576.13	584.1	10B1-114	23	60	56	100	14.00	10B2-114	29	75	70	125	17.00	10B3-114	34	75	80	125	26.00

All dimensions in mm.

†Min. tolerated bore which can be machined in sprocket.

Steel Pinions 8 to 35 tooth minimum U.T.S. 600N/mm² - Above 35T - 410N/mm²

Stock Sprockets can be reworked to customers bore and keyway requirements, on 48 hour service.

Steel pinions (other than fabricated types) 8 to 35 tooth can be supplied with teeth induction hardened to 45Rc.

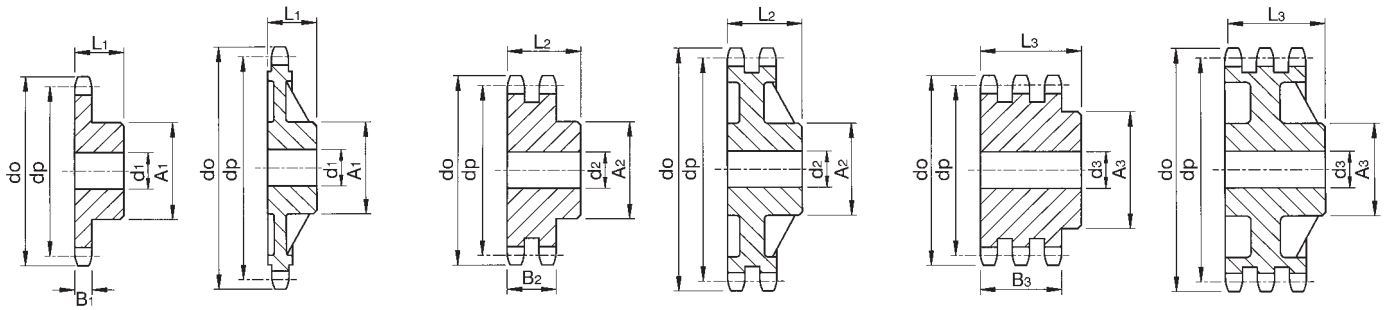
*Sprockets with an asterisk on hub Ø may be of fabricated construction.

Email sales@crossmorse.com Fax +44(0) 121 325 1079 Tel +44(0) 121 360 0155

Standard Sprockets for 3/4" Pitch British Standard Chains Type 12B



Conforming to ISO Std. 606



Steel Pinion Cast Iron Wheel Steel Pinion Cast Iron Wheel Steel Pinion Cast Iron Wheel

Simplex Sprockets

Chain No. 12B-1
Pitch 19.05mm
Roller Dia. 12.07mm
Inside Width 11.68mm
Overall Width 24.5mm
Tooth Width B₁ 11.1mm

Duplex Sprockets

Chain No. 12B-2
Pitch 19.05mm
Roller Dia. 12.07mm
Inside Width 11.68mm
Overall Width 44.0mm
Tooth Width B₂ 30.3mm

Triplex Sprockets

Chain No. 12B-3
Pitch 19.05mm
Roller Dia. 12.07mm
Inside Width 11.68mm
Overall Width 63.4mm
Tooth Width B₃ 49.8mm

No. Teeth Z	Pitch Circle Ø dp	Outside Ø do	Simplex Sprocket					Duplex Sprocket					Triplex Sprocket							
			Cat. No.	min. † bore d ₁	max. bore d ₁	L.T.B. L ₁	Hub dia. A ₁	Wt. kg	Cat. No.	min. † bore d ₂	max. bore d ₂	L.T.B. L ₂	Hub dia. A ₂	Wt. kg	Cat. No.	min. † bore d ₃	max. bore d ₃	L.T.B. L ₃	Hub dia. A ₃	Wt. kg
Steel Pinions																				
8	49.78	57.6	12B1-08	12	20	30	31	.21	12B2-08	12	20	45	31	.31	12B3-08	16	20	65	31	.45
9	55.70	62.0	12B1-09	12	25	30	37	.30	12B2-09	12	25	45	37	.44	12B3-09	16	25	65	37	.64
10	61.64	69.0	12B1-10	12	28	30	42	.38	12B2-10	12	28	45	42	.59	12B3-10	16	28	65	42	.87
11	67.61	75.0	12B1-11	14	31	35	46	.51	12B2-11	16	31	50	47	.77	12B3-11	20	31	70	47	1.10
12	73.61	81.5	12B1-12	14	35	35	52	.65	12B2-12	16	35	50	53	.98	12B3-12	20	35	70	53	1.39
13	79.59	87.5	12B1-13	14	38	35	58	.80	12B2-13	16	39	50	59	1.21	12B3-13	20	39	70	59	1.72
14	85.61	93.6	12B1-14	14	43	35	64	.97	12B2-14	16	43	50	65	1.46	12B3-14	20	43	70	65	2.08
15	91.63	99.8	12B1-15	14	46	35	70	1.16	12B2-15	16	47	50	71	1.74	12B3-15	20	47	70	71	2.47
16	97.65	105.5	12B1-16	16	50	35	75	1.34	12B2-16	20	51	50	77	2.04	12B3-16	20	51	70	77	2.80
17	103.67	111.5	12B1-17	16	54	35	80	1.53	12B2-17	20	56	50	83	2.36	12B3-17	20	56	70	83	3.25
18	109.71	118.0	12B1-18	16	54	35	80	1.61	12B2-18	20	59	50	89	2.70	12B3-18	20	59	70	89	3.74
19	115.75	124.2	12B1-19	16	54	35	80	1.70	12B2-19	20	63	50	95	3.07	12B3-19	20	63	70	95	4.25
20	121.78	129.7	12B1-20	16	54	35	80	1.79	12B2-20	20	67	50	100	3.44	12B3-20	20	67	70	100	4.78
21	127.82	136.0	12B1-21	20	60	40	90	2.34	12B2-21	20	67	50	100	3.70	12B3-21	20	67	70	100	5.20
22	133.86	141.8	12B1-22	20	60	40	90	2.44	12B2-22	20	67	50	100	3.97	12B3-22	20	67	70	100	5.65
23	139.90	149.0	12B1-23	20	60	40	90	2.55	12B2-23	20	74	50	110	4.51	12B3-23	20	74	70	110	6.38
24	145.94	153.9	12B1-24	20	60	40	90	2.66	12B2-24	20	74	50	110	4.81	12B3-24	20	74	70	110	6.87
25	152.00	160.0	12B1-25	20	60	40	90	2.77	12B2-25	20	80	50	120	5.41	12B3-25	20	80	70	120	7.67
26	158.04	165.9	12B1-26	20	63	40	95	3.06	12B2-26	20	80	50	120	5.74	12B3-26	20	80	70	120	8.21
27	164.09	172.3	12B1-27	20	63	40	95	3.19	12B2-27	20	80	50	120	6.08	12B3-27	20	80	70	120	8.77
28	170.13	178.0	12B1-28	20	63	40	95	3.32	12B2-28	20	80	50	120	6.44	12B3-28	20	80	70	120	9.36
29	176.19	184.1	12B1-29	20	63	40	95	3.45	12B2-29	20	80	50	120	6.81	12B3-29	20	80	70	120	9.96
30	182.25	190.5	12B1-30	20	63	40	95	3.59	12B2-30	20	80	50	120	7.19	12B3-30	20	80	70	120	10.6
31	188.31	196.3	12B1-31	20	67	40	100	3.73	12B2-31	20	80	50	*120	7.59	12B3-31	25	87	70	*130	11.6
32	194.35	203.3	12B1-32	20	67	40	100	3.88	12B2-32	20	80	50	*120	8.00	12B3-32	25	87	70	*130	12.3
33	200.40	209.3	12B1-33	20	67	40	100	4.04	12B2-33	20	80	50	*120	8.42	12B3-33	25	87	70	*130	13.0
34	206.46	214.6	12B1-34	20	67	40	100	4.20	12B2-34	20	80	50	*120	8.86	12B3-34	25	87	70	*130	13.7
35	212.52	221.0	12B1-35	20	67	40	100	4.36	12B2-35	20	80	50	*120	9.32	12B3-35	25	87	70	*130	14.4
36	218.58	226.8	12B1-36	25	67	40	100	4.65	12B2-36	25	80	50	*120	9.7	12B3-36	25	87	70	*130	15.2
37	224.64	232.9	12B1-37	25	67	40	100	4.82	12B2-37	25	80	50	*120	10.2	12B3-37	25	87	70	*130	16.0
38	230.69	239.0	12B1-38	25	67	40	100	5.00	12B2-38	25	80	50	*120	10.7	12B3-38	25	87	70	*130	16.8
39	236.75	245.1	12B1-39	25	67	40	100	5.19	12B2-39	25	80	50	*120	11.2	12B3-39	25	87	70	*130	17.6
40	242.81	251.3	12B1-40	25	67	40	100	5.37	12B2-40	25	80	50	*120	11.8	12B3-40	25	87	70	*130	18.5
42	254.92	264.5	12B1-42	25	74	56	*110	7.42	12B2-42	25	94	63	*140	15.1	12B3-42	25	94	70	*140	20.7
45	273.09	282.5	12B1-45	25	74	56	*110	8.06	12B2-45	25	94	63	*140	16.9	12B3-45	25	94	70	*140	23.6
48	291.27	300.1	12B1-48	25	74	56	*110	8.72	12B2-48	25	94	63	*140	18.7	12B3-48	25	94	70	*140	26.6
50	303.39	312.3	12B1-50	25	74	56	*110	9.21	12B2-50	25	94	63	*140	20.0	12B3-50	25	94	70	*140	28.8
57	345.81	355.4	12B1-57	25	74	56	*110	11.10	12B2-57	25	94	63	*140	25.2	12B3-57	30	94	70	*140	37.0
60	363.99	373.0	12B1-60	25	74	56	*110	11.94	12B2-60	25	94	63	*140	27.5	12B3-60	30	94	70	*140	40.8
Cast Iron Wheels																				
57	345.81	354.0	12B1-57	29	60	56	100	6.7	12B2-57	29	72	63	120	12.0	12B3-57	39	84	70	140	16.5
76	460.98	469.9	12B1-76	29	60	56	100	10.3	12B2-76	29	80	63	135	17.0	12B3-76	39	96	75	160	24.0
95	576.17	585.1	12B1-95	29	60	65	100	14.2	12B2-95	29	80	70	135	21.0	12B3-95	39	102	82	170	32.0
114	691.36	700.6	12B1-114	29	60	65	100	23.3	12B2-114	44	80	70	135	30.5	12B3-114	49	102	82	170	46.0

All dimensions in mm.

†Min. toleranced bore which can be machined in sprocket.

Steel Pinions 8 to 30 tooth minimum U.T.S. 600N/mm² - Above 30T - 410N/mm²

Stock Sprockets can be reworked to customers bore and keyway requirements, on 48 hour service.

Steel pinions (other than fabricated types) 8 to 30 tooth can be supplied with teeth induction hardened to 45Rc.

*Sprockets with an asterisk on hub Ø may be of fabricated construction.

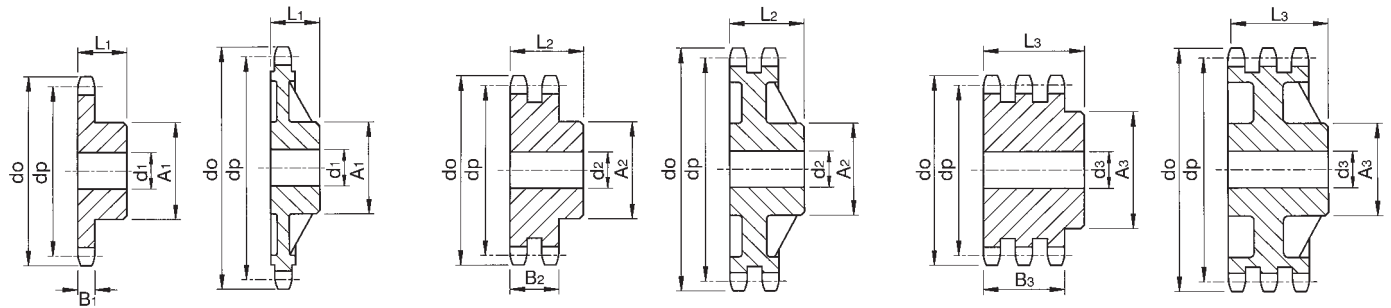
TEL +44(0) 121 360 0155

FAX +44(0) 121 325 1079

Email sales@crossmorse.com

Standard Sprockets for 1" Pitch British Standard Chains Type 16B

Conforming to ISO Std 606



Steel Pinion

Cast Iron Wheel

Steel Pinion

Cast Iron Wheel

Steel Pinion

Cast Iron Wheel

Simplex Sprockets

Chain No. 16B-1
Pitch 25.4mm
Roller Dia. 15.88mm
Inside Width 17.02mm
Overall Width 38.7mm
Tooth Width B₁ 16.2mm

Duplex Sprockets

Chain No. 16B-2
Pitch 25.4mm
Roller Dia. 15.88mm
Inside Width 17.02mm
Overall Width 70.7mm
Tooth Width B₂ 47.7mm

Triplex Sprockets

Chain No. 16B-3
Pitch 25.4mm
Roller Dia. 15.88mm
Inside Width 17.02mm
Overall Width 102.5mm
Tooth Width B₃ 79.6mm

No. Teeth Z	Pitch Circle Ø dp	Outside Ø do	Simplex Sprocket						Duplex Sprocket						Triplex Sprocket					
			Cat. No.	Min. † Bore d ₁	Max. Bore d ₁	L.T.B. L ₁	Hub Ø A ₁	App. Weight kg	Cat. No.	Min. † Bore d ₂	Max. Bore d ₂	L.T.B. L ₂	Hub Ø A ₂	App. Weight kg	Cat. No.	Min. † Bore d ₃	Max. Bore d ₃	L.T.B. L ₃	Hub Ø A ₃	App. Weight kg
Steel Pinions																				
8	66.37	77.0	16B1-08	16	28	35	42	.47	16B2-08	16	28	65	42	.81	16B3-08	20	28	95	42	1.18
9	74.27	85.0	16B1-09	16	34	35	50	.65	16B2-09	16	34	65	50	1.15	16B3-09	20	34	95	50	1.68
10	82.19	93.0	16B1-10	16	36	35	55	.82	16B2-10	16	37	65	56	1.52	16B3-10	20	37	95	56	2.23
11	90.14	99.5	16B1-11	16	40	40	61	1.06	16B2-11	20	43	70	64	2.08	16B3-11	25	43	100	64	2.85
12	98.14	109.0	16B1-12	16	46	40	69	1.34	16B2-12	20	47	70	72	2.60	16B3-12	25	47	100	72	3.61
13	106.12	117.0	16B1-13	16	52	40	78	1.68	16B2-13	20	54	70	80	3.19	16B3-13	25	54	100	80	4.45
14	114.15	125.0	16B1-14	16	56	40	84	2.03	16B2-14	20	58	70	88	3.83	16B3-14	25	58	100	88	5.36
15	122.17	133.0	16B1-15	16	61	40	92	2.41	16B2-15	20	64	70	96	4.52	16B3-15	25	64	100	96	6.36
16	130.20	141.0	16B1-16	20	67	45	100	3.12	16B2-16	25	69	70	104	5.17	16B3-16	30	69	100	104	7.27
17	138.22	149.0	16B1-17	20	67	45	100	3.31	16B2-17	25	75	70	112	5.98	16B3-17	30	75	100	112	8.43
18	146.28	157.0	16B1-18	20	67	45	100	3.52	16B2-18	25	80	70	120	6.84	16B3-18	30	80	100	120	9.67
19	154.33	165.2	16B1-19	20	67	45	100	3.74	16B2-19	25	85	70	128	7.76	16B3-19	30	85	100	128	11.0
20	162.38	173.2	16B1-20	20	67	45	100	3.97	16B2-20	25	87	70	130	8.52	16B3-20	30	87	100	130	12.2
21	170.43	181.2	16B1-21	20	74	50	110	4.89	16B2-21	25	87	70	*130	9.2	16B3-21	30	87	100	*130	13.4
22	178.48	189.3	16B1-22	20	74	50	110	5.14	16B2-22	25	87	70	*130	10.0	16B3-22	30	87	100	*130	14.7
23	186.53	197.5	16B1-23	20	74	50	110	5.41	16B2-23	25	87	70	*130	10.8	16B3-23	30	87	100	*130	16.0
24	194.59	205.5	16B1-24	20	74	50	110	5.69	16B2-24	25	87	70	*130	11.7	16B3-24	30	87	100	*130	17.4
25	202.66	213.5	16B1-25	20	74	50	110	5.99	16B2-25	25	87	70	*130	12.5	16B3-25	30	87	100	*130	18.8
26	210.72	221.6	16B1-26	20	80	50	120	6.78	16B2-26	25	87	70	*130	13.5	16B3-26	30	87	100	*130	20.4
27	218.79	229.6	16B1-27	20	80	50	120	7.10	16B2-27	25	87	70	*130	14.4	16B3-27	30	87	100	*130	21.9
28	226.85	237.7	16B1-28	20	80	50	120	7.43	16B2-28	25	87	70	*130	15.4	16B3-28	30	87	100	*130	23.6
29	234.92	245.8	16B1-29	20	80	50	120	7.78	16B2-29	25	87	70	*130	16.4	16B3-29	30	87	100	*130	25.3
30	243.00	254.0	16B1-30	20	80	50	120	8.13	16B2-30	25	87	70	*130	17.5	16B3-30	30	87	100	*130	27.1
31	251.08	262.0	16B1-31	25	80	50	*120	8.50	16B2-31	25	94	70	*140	19.0	16B3-31	30	94	100	*140	29.3
32	259.13	270.0	16B1-32	25	80	50	*120	8.88	16B2-32	25	94	70	*140	20.1	16B3-32	30	94	100	*140	31.2
33	267.21	278.5	16B1-33	25	80	50	*120	9.28	16B2-33	25	94	70	*140	21.3	16B3-33	30	94	100	*140	33.1
34	275.28	287.0	16B1-34	25	80	50	*120	9.68	16B2-34	25	94	70	*140	22.5	16B3-34	30	94	100	*140	35.2
35	283.36	296.2	16B1-35	25	80	50	*120	10.10	16B2-35	25	94	70	*140	23.8	16B3-35	30	94	100	*140	37.3
36	291.44	304.6	16B1-36	25	80	50	*120	10.5	16B2-36	25	94	70	*140	25.1	16B3-36	30	94	100	*140	39.4
37	299.51	312.6	16B1-37	25	80	50	*120	11.0	16B2-37	25	94	70	*140	26.4	16B3-37	30	94	100	*140	41.6
38	307.59	320.7	16B1-38	25	80	50	*120	11.5	16B2-38	25	94	70	*140	27.8	16B3-38	30	94	100	*140	43.9
39	315.67	328.8	16B1-39	25	80	50	*120	11.9	16B2-39	25	94	70	*140	29.2	16B3-39	30	94	100	*140	46.3
40	323.75	336.9	16B1-40	25	80	50	*120	12.4	16B2-40	25	94	70	*140	30.7	16B3-40	30	94	100	*140	48.7
42	339.89	353.0	16B1-42	25	94	70	*125	17.4	16B2-42	25	100	80	*150	35.6	16B3-42	30	107	100	*160	54.7
45	364.12	377.1	16B1-45	25	94	70	*125	19.0	16B2-45	25	100	80	*150	40.4	16B3-45	30	107	100	*160	62.7
48	388.36	401.3	16B1-48	25	94	70	*125	20.8	16B2-48	30	100	80	*150	45.5	16B3-48	30	107	100	*160	71.3
50	404.52	417.4	16B1-50	25	94	70	*125	22.0	16B2-50	30	100	80	*150	49.1	16B3-50	30	107	100	*160	77.3
57	461.08	474.0	16B1-57	30	94	70	*125	26.7	16B2-57	30	107	90	*160	65.2	16B3-57	40	120	110	*180	102.9
60	485.33	498.3	16B1-60	30	94	80	*140	30.1	16B2-60	40	107	90	*160	71.4	16B3-60	40	120	110	*180	113.8
Cast Iron Wheels																				
57	461.08	474.0	16B1-57	34	75	70	125	13.0	16B2-57	39	96	90	160	20.5	16B3-57	44	100	100	165	42.0
76	614.64	627.0	16B1-76	34	84	80	140	25.3	16B2-76	39	105	95	175	44.0	16B3-76	44	120	110	200	63.0
95	768.22	781.0	16B1-95	39	84	80	140	36.0	16B2-95	44	105	95	175	56.0	16B3-95	49	120	110	200	88.0
114	921.81	934.0	16B1-114	39	90	80	150	46.5	16B2-114	44	105	95	175	61.0	16B3-114	49	120	115	200	90.0

All dimensions in mm.

†Min. toleranced bore which can be machined in sprocket.

Steel Pinions 8 to 21 tooth minimum U.T.S. 600N/mm² - Above 21T - 410N/mm²

*Sprockets with an asterisk on hub Ø may be of fabricated construction.

Stock Sprockets can be reworked to customers bore and keyway requirements, on 48 hour service.

Steel pinions (other than fabricated types) 8 to 21 tooth can be supplied with teeth induction hardened to 45Rc.

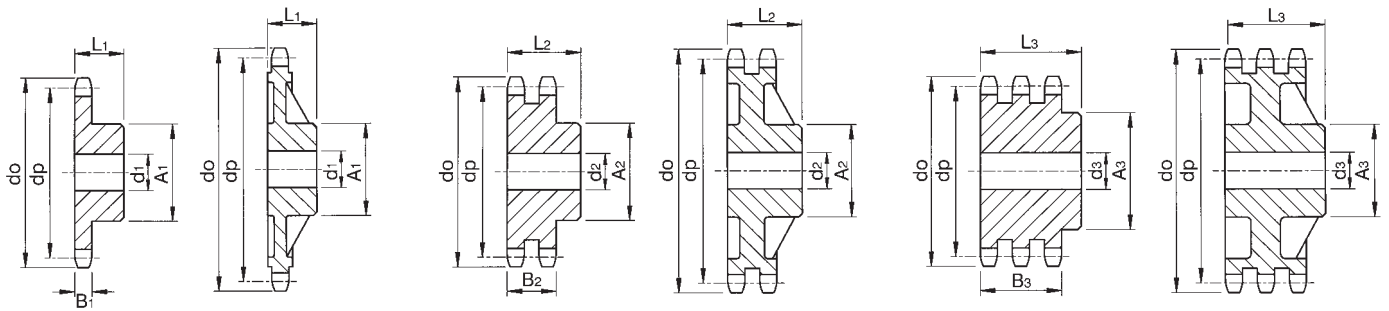
Email sales@crossmorse.com Fax +44(0) 121 325 1079 Tel +44(0) 121 360 0155

Standard Sprockets for 1 1/4" Pitch British Standard Chains Type 20B

Conforming to ISO Std 606



Tel +44(0) 121 360 0155 Fax +44(0) 121 325 1079 Email sales@crossmorse.com



Steel Pinion Cast Iron Wheel Steel Pinion Cast Iron Wheel Steel Pinion Cast Iron Wheel

Simplex Sprockets

Chain No. 20B-1
Pitch 31.75mm
Roller Dia. 19.05mm
Inside Width 19.56mm
Overall Width 44.1mm
Tooth Width B₁ 18.5mm

Duplex Sprockets

Chain No. 20B-2
Pitch 31.75mm
Roller Dia. 19.05mm
Inside Width 19.56mm
Overall Width 80.5mm
Tooth Width B₂ 54.6mm

Triplex Sprockets

Chain No. 20B-3
Pitch 31.75mm
Roller Dia. 19.05mm
Inside Width 19.56mm
Overall Width 117.1mm
Tooth Width B₃ 91.0mm

No. Teeth Z	Pitch Circle Ø dp	Outside Ø do	Simplex Sprocket						Duplex Sprocket						Triplex Sprocket					
			Cat. No.	Min. † Bore d ₁	Max. Bore d ₁	L.T.B. L ₁	Hub Ø A ₁	App. Weight kg	Cat. No.	Min. † Bore d ₂	Max. Bore d ₂	L.T.B. L ₂	Hub Ø A ₂	App. Weight kg	Cat. No.	Min. † Bore d ₃	Max. Bore d ₃	L.T.B. L ₃	Hub Ø A ₃	App. Weight kg
Steel Pinions																				
8	82.96	98.1	20B1-08	20	35	40	53	.85	20B2-08	20	35	75	53	1.57	20B3-08	25	35	110	53	2.14
9	92.84	108.0	20B1-09	20	42	40	63	1.18	20B2-09	20	42	75	63	2.19	20B3-09	25	42	110	63	3.04
10	102.74	117.9	20B1-10	20	46	40	70	1.50	20B2-10	20	46	75	70	2.84	20B3-10	25	46	110	70	4.02
11	112.68	127.8	20B1-11	20	51	45	77	2.02	20B2-11	25	54	80	80	3.71	20B3-11	30	54	115	80	5.17
12	122.68	137.8	20B1-12	20	58	45	88	2.57	20B2-12	25	60	80	90	4.65	20B3-12	30	60	115	90	6.53
13	132.65	147.8	20B1-13	20	65	45	98	3.14	20B2-13	25	67	80	100	5.69	20B3-13	30	67	115	100	8.03
14	142.68	157.8	20B1-14	20	72	45	108	3.77	20B2-14	25	74	80	110	6.83	20B3-14	30	74	115	110	9.68
15	152.72	167.9	20B1-15	20	78	45	118	4.45	20B2-15	25	80	80	120	8.07	20B3-15	30	80	115	120	11.5
16	162.75	177.9	20B1-16	25	80	50	120	5.22	20B2-16	30	80	80	120	8.88	20B3-16	30	80	115	120	13.1
17	172.78	187.9	20B1-17	25	80	50	120	5.57	20B2-17	30	80	80	120	9.90	20B3-17	30	80	115	120	14.7
18	182.85	198.0	20B1-18	25	80	50	120	5.95	20B2-18	30	80	80	*120	11.0	20B3-18	30	80	115	*120	16.5
19	192.91	208.1	20B1-19	25	80	50	120	6.35	20B2-19	30	80	80	*120	12.2	20B3-19	30	80	115	*120	18.4
20	202.98	218.1	20B1-20	25	80	50	120	6.77	20B2-20	30	80	80	*120	13.4	20B3-20	30	80	115	*120	20.5
21	213.04	228.2	20B1-21	30	94	55	140	8.73	20B2-21	30	94	80	*140	15.5	20B3-21	30	94	115	*140	23.4
22	223.11	238.2	20B1-22	30	94	55	140	9.20	20B2-22	30	94	80	*140	16.9	20B3-22	30	94	115	*140	25.6
23	233.17	248.3	20B1-23	30	94	55	140	9.68	20B2-23	30	94	80	*140	18.3	20B3-23	30	94	115	*140	28.0
24	243.23	258.4	20B1-24	30	94	55	140	10.2	20B2-24	30	94	80	*140	19.8	20B3-24	30	94	115	*140	30.5
25	253.33	268.5	20B1-25	30	94	55	140	10.8	20B2-25	30	94	80	*140	21.4	20B3-25	30	94	115	*140	33.1
26	263.40	278.6	20B1-26	30	100	55	*150	12.0	20B2-26	30	100	80	*150	23.4	20B3-26	30	100	115	*150	36.2
27	273.49	288.6	20B1-27	30	100	55	*150	12.6	20B2-27	30	100	80	*150	25.1	20B3-27	30	100	115	*150	39.0
28	283.56	298.7	20B1-28	30	100	55	*150	13.2	20B2-28	30	100	80	*150	26.9	20B3-28	30	100	115	*150	42.0
29	293.65	308.8	20B1-29	30	100	55	*150	13.8	20B2-29	30	100	80	*150	28.8	20B3-29	30	100	115	*150	45.0
30	303.75	318.9	20B1-30	30	100	55	*150	14.4	20B2-30	30	100	80	*150	30.7	20B3-30	30	100	115	*150	48.2
31	313.85	329.0	20B1-31	30	100	55	*150	15.1	20B2-31	30	100	80	*150	32.6	20B3-31	30	100	115	*150	51.5
32	323.91	339.1	20B1-32	30	100	55	*150	15.8	20B2-32	30	100	80	*150	34.7	20B3-32	30	100	115	*150	54.9
33	334.01	349.2	20B1-33	30	100	55	*150	16.5	20B2-33	30	100	80	*150	36.8	20B3-33	30	100	115	*150	58.4
34	344.10	359.3	20B1-34	30	100	55	*150	17.2	20B2-34	30	100	80	*150	39.0	20B3-34	30	100	115	*150	62.0
35	354.20	369.4	20B1-35	30	100	55	*150	18.0	20B2-35	30	100	80	*150	41.2	20B3-35	30	100	115	*150	65.8
36	364.30	379.5	20B1-36	30	100	55	*150	18.8	20B2-36	30	100	80	*150	43.6	20B3-36	30	100	115	*150	69.6
37	374.39	389.5	20B1-37	30	100	55	*150	19.6	20B2-37	30	100	80	*150	45.9	20B3-37	30	100	115	*150	73.6
38	384.49	399.6	20B1-38	30	100	55	*150	20.4	20B2-38	30	100	80	*150	48.4	20B3-38	30	100	115	*150	77.7
39	394.59	409.7	20B1-39	30	100	55	*150	21.3	20B2-39	30	100	80	*150	50.9	20B3-39	30	100	115	*150	86.2
40	404.69	419.8	20B1-40	30	100	55	*150	22.2	20B2-40	30	100	80	*150	53.5	20B3-40	30	100	115	*150	86.2
42	424.86	440.0	20B1-42	30	100	70	*150	26.8	20B2-42	30	107	90	*160	61.5	20B3-42	40	120	110	*180	95.8
45	455.15	470.3	20B1-45	30	100	70	*150	29.7	20B2-45	30	107	90	*160	70.1	20B3-45	40	120	110	*180	110.2
48	485.45	500.6	20B1-48	30	100	70	*150	33.0	20B2-48	30	107	90	*160	79.4	20B3-48	40	120	110	*180	125.6
50	505.65	520.8	20B1-50	30	100	70	*150	35.2	20B2-50	30	107	90	*160	85.9	20B3-50	40	120	110	*180	136.4
57	576.35	591.5	20B1-57	30	100	80	*150	45.2	20B2-57	40	107	100	*160	112.0	20B3-57	40	120	125	*180	180.8
60	606.66	621.8	20B1-60	30	100	80	*150	49.2	20B2-60	40	107	100	*160	123.8	20B3-60	40	120	125	*180	200.3
Cast Iron Wheels																				
57	576.35	591.5	20B1-57	39	80	80	135	25.6	20B2-57	49	96	100	160	45.0	20B3-57	62	108	125	180	65.0
76	768.30	783.5	20B1-76	49	84	90	140	39.0	20B2-76	55	108	100	180	65.0	20B3-76	63	120	140	200	85.0

All dimensions in mm.

†Min. tolerated bore which can be machined in sprocket.

Steel Pinions 8 to 21 tooth minimum U.T.S. 600N/mm² - Above 21T - 410N/mm²

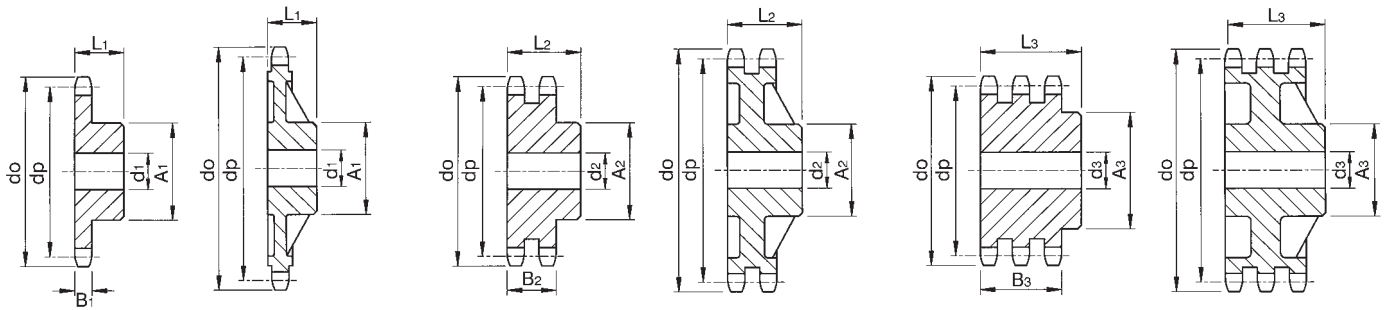
Stock Sprockets can be reworked to customers bore and keyway requirements, on 48 hour service.

*Sprockets with asterisk on hub Ø may be of fabricated construction.

Steel pinions (other than fabricated types) 8 to 21 tooth can be supplied with teeth induction hardened to 45Rc.

Standard Sprockets for 1 1/2" Pitch British Standard Chains Type 24B

Conforming to ISO Std 606



Steel Pinion Cast Iron Wheel Steel Pinion Cast Iron Wheel Steel Pinion Cast Iron Wheel

Simplex Sprockets

Chain No. 24B-1
Pitch 38.1mm
Roller Dia. 25.4mm
Inside Width 25.4mm
Overall Width 56.9mm
Tooth Width B₁ 24.1mm

Duplex Sprockets

Chain No. 24B-2
Pitch 38.1mm
Roller Dia. 25.4mm
Inside Width 25.4mm
Overall Width 105.0mm
Tooth Width B₂ 72.0mm

Triplex Sprockets

Chain No. 24B-3
Pitch 38.1mm
Roller Dia. 25.4mm
Inside Width 25.4mm
Overall Width 153.0mm
Tooth Width B₃ 120.3mm

No. Teeth Z	Pitch Circle Ø dp	Outside Ø do	Simplex Sprocket						Duplex Sprocket						Triplex Sprocket					
			Cat. No.	Min. † Bore d ₁	Max. Bore d ₁	L.T.B. L ₁	Hub Ø A ₁	App. Weight kg	Cat. No.	Min. † Bore d ₂	Max. Bore d ₂	L.T.B. L ₂	Hub Ø A ₂	App. Weight kg	Cat. No.	Min. † Bore d ₃	Max. Bore d ₃	L.T.B. L ₃	Hub Ø A ₃	App. Weight kg
Steel Pinions																				
8	99.55	115.0	24B1-08	20	38	45	58	1.35	24B2-08	25	38	95	58	2.66	24B3-08	25	38	140	58	3.95
9	111.40	126.4	24B1-08	20	46	45	70	1.88	24B2-09	25	46	95	70	3.75	24B3-09	25	46	140	70	5.56
10	123.29	138.0	24B1-10	20	54	45	80	2.42	24B2-10	25	54	95	80	4.96	24B3-10	25	54	140	80	7.38
11	135.21	150.0	24B1-11	25	60	50	90	3.22	24B2-11	25	60	100	90	6.56	24B3-11	30	60	150	90	9.66
12	147.22	162.0	24B1-12	25	68	50	102	4.04	24B2-12	25	68	100	102	8.22	24B3-12	30	68	150	102	12.2
13	159.18	174.2	24B1-13	25	76	50	114	4.95	24B2-13	25	76	100	114	10.1	24B3-13	30	76	150	114	15.0
14	171.22	186.2	24B1-14	25	85	50	128	6.03	24B2-14	25	85	100	128	12.2	24B3-14	30	85	150	128	18.1
15	183.26	198.2	24B1-15	25	94	50	140	7.13	24B2-15	25	94	100	140	14.4	24B3-15	30	88	150	132	21.4
16	195.30	210.3	24B1-16	25	94	55	*140	8.31	24B2-16	30	94	100	*140	16.0	24B3-16	30	92	150	136	24.9
17	207.34	222.3	24B1-17	25	94	55	*140	8.96	24B2-17	30	100	100	*150	18.4	24B3-17	30	94	150	*140	28.1
18	219.42	234.3	24B1-18	25	94	55	*140	9.64	24B2-18	30	100	100	*150	21.0	24B3-18	30	100	150	*150	32.0
19	231.49	246.5	24B1-19	25	94	55	*140	10.4	24B2-19	30	107	100	*160	23.2	24B3-19	30	107	150	*160	35.6
20	243.57	258.6	24B1-20	25	94	55	*140	11.2	24B2-20	30	107	100	*160	25.4	24B3-20	30	107	150	*160	39.4
21	255.65	270.6	24B1-21	30	100	60	*150	13.2	24B2-21	30	107	100	*160	27.9	24B3-21	40	107	150	*160	42.8
22	267.73	282.7	24B1-22	30	100	60	*150	14.1	24B2-22	30	107	100	*160	30.4	24B3-22	40	107	150	*160	47.0
23	279.80	294.8	24B1-23	30	100	60	*150	15.0	24B2-23	30	107	100	*160	33.1	24B3-23	40	107	150	*160	51.5
24	291.88	306.8	24B1-24	30	100	60	*150	15.9	24B2-24	30	107	100	*160	35.9	24B3-24	40	107	150	*160	56.1
25	304.00	319.0	24B1-25	30	100	60	*150	16.9	24B2-25	30	107	100	*160	38.8	24B3-25	40	107	150	*160	61.0
26	316.08	331.0	24B1-26	30	107	60	*160	18.6	24B2-26	30	107	100	*160	41.9	24B3-26	40	107	150	*160	66.1
27	328.19	343.2	24B1-27	30	107	60	*160	19.7	24B2-27	30	107	100	*160	45.1	24B3-27	40	107	150	*160	71.4
28	340.27	355.2	24B1-28	30	107	60	*160	20.8	24B2-28	30	107	100	*160	48.4	24B3-28	40	107	150	*160	77.0
29	352.38	367.3	24B1-29	30	107	60	*160	21.9	24B2-29	30	107	100	*160	51.8	24B3-29	40	107	150	*160	82.7
30	364.50	379.5	24B1-30	30	107	60	*160	23.1	24B2-30	30	107	100	*160	55.4	24B3-30	40	107	150	*160	88.7
31	376.62	391.6	24B1-31	30	107	60	*160	24.2	24B2-31	40	107	100	*160	58.7						
32	388.69	403.7	24B1-32	30	107	60	*160	25.5	24B2-32	40	107	100	*160	62.5	24B3-32	40	107	150	*160	101.3
33	400.81	415.8	24B1-33	30	107	60	*160	26.8	24B2-33	40	107	100	*160	66.5	24B3-33	40	107	150	*160	107.9
34	412.93	427.8	24B1-34	30	107	60	*160	28.2	24B2-34	40	107	100	*160	70.6	24B3-34	40	107	150	*160	114.8
35	425.04	440.0	24B1-35	30	107	60	*160	29.6	24B2-35	40	107	100	*160	74.8	24B3-35	40	107	150	*160	121.8
36	437.16	452.0	24B1-36	30	107	60	*160	31.0	24B2-36	40	107	100	*160	79.2	24B3-36	40	107	150	*160	129.1
37	449.27	464.2	24B1-37	30	107	60	*160	32.5	24B2-37	40	107	100	*160	83.7						
38	461.39	476.2	24B1-38	30	107	60	*160	34.0	24B2-38	40	107	100	*160	88.3	24B3-38	40	107	150	*160	144.3
39	473.50	488.5	24B1-39	30	107	60	*160	35.6	24B2-39	40	107	100	*160	93.0						
40	485.62	500.6	24B1-40	30	107	60	*160	37.2	24B2-40	10	107	100	*160	97.9	24B3-40	40	107	150	*160	160.4
42	509.83	524.7	24B1-42	30	107	90	*160	46.0	24B2-42	40	120	100	*180	108.6	24B3-42	40	135	150	*200	178.6
45	546.19	561.2	24B1-45	30	107	90	*160	51.5	24B2-45	40	120	100	*180	124.9	24B3-45	40	135	150	*200	205.6
48	582.54	597.4	24B1-48	30	107	90	*160	57.4	24B2-48	40	120	100	*180	142.2	24B3-48	40	135	150	*200	234.5
50	606.78	621.7	24B1-50	30	107	90	*160	61.6	24B2-50	40	120	100	*180	154.5	24B3-50	40	135	150	*200	255.0
57	691.62	706.5	24B1-57	30	107	100	*160	79.0	24B2-57	40	135	110	*200	205.1	24B3-57	40	135	150	*220	335.8
60	727.99	742.8	24B1-60	30	107	100	*160	85.5	24B2-60	40	135	110	*200	227.1	24B3-60	40	135	150	*220	371.5
Cast Iron Wheels																				
57	691.62	706.5	24B1-57	44	96	100	160	42.5	24B2-57	54	120	110	200	73.0	24B3-57	62	120	150	200	117.0
76	921.96	936.9	24B1-76	44	102	100	170	66.5	24B2-76	54	132	120	220	127.0	24B3-76	69	150	150	250	180.0
95	1152.33	1167.3	24B1-95	50	120	125	200	82.0	24B2-95	55	132	140	220	163.0						

All dimensions in mm.

Steel Pinions 8 to 21 tooth minimum U.T.S. 600 N/mm² - Above 21T - 410N/mm²

*Sprockets with an asterisk on hub Ø may be of fabricated construction.

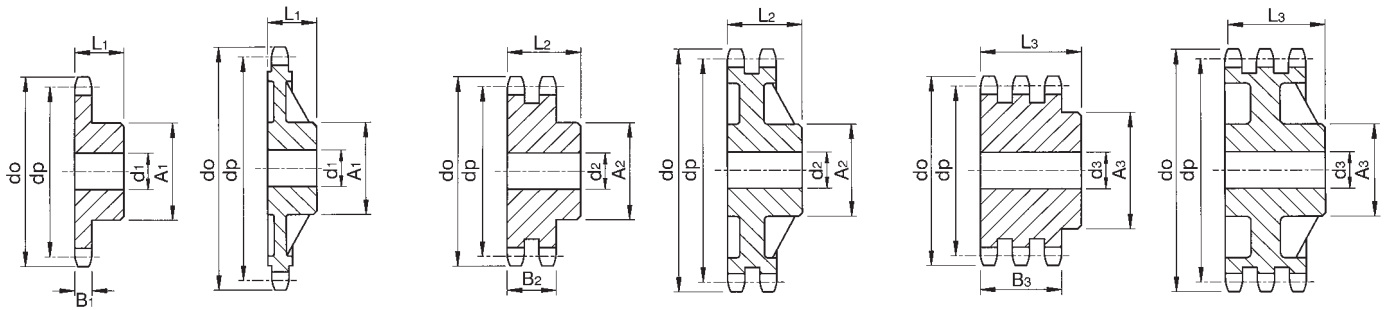
Stock Sprockets can be reworked to customers bore and keyway requirements, on 48 hour service.

Steel pinions (other than fabricated types) 8 to 21 tooth can be supplied with teeth induction hardened to 45Rc.

†Min. tolerated bore which can be machined in sprocket.

Standard Sprockets for 1³/₄" Pitch British Standard Chains Type 28B

Conforming to ISO Std 606



Steel Pinion

Cast Iron Wheel

Steel Pinion

Cast Iron Wheel

Steel Pinion

Cast Iron Wheel

Simplex Sprockets

Chain No. 28B-1
Pitch 44.45mm
Roller Dia. 27.94mm
Inside Width 30.99mm
Overall Width 71.3mm
Tooth Width B₁ 29.4mm

Duplex Sprockets

Chain No. 28B-2
Pitch 44.45mm
Roller Dia. 127.94mm
Inside Width 30.99mm
Overall Width 130.3mm
Tooth Width B₂ 88.4mm

Triplex Sprockets

Chain No. 28B-3
Pitch 44.45mm
Roller Dia. 27.94mm
Inside Width 30.99mm
Overall Width 189.9mm
Tooth Width B₃ 148.0mm

No. Teeth Z	Pitch Circle Ø dp	Outside Ø do	Simplex Sprocket						Duplex Sprocket						Triplex Sprocket					
			Cat. No.	Min. † Bore d ₁	Max. Bore d ₁	L.T.B. L ₁	Hub Ø A ₁	App. Weight kg	Cat. No.	Min. † Bore d ₂	Max. Bore d ₂	L.T.B. L ₂	Hub Ø A ₂	App. Weight kg	Cat. No.	Min. † Bore d ₃	Max. Bore d ₃	L.T.B. L ₃	Hub Ø A ₃	App. Weight kg
8	116.15	132.0	28B1-08	25	48	70	74	2.8	28B2-08	30	48	120	74	4.7	28B3-08	30	48	180	74	7.0
9	129.96	148.4	28B1-09	25	59	70	88	3.9	28B2-09	30	59	120	88	6.6	28B3-09	30	59	180	88	9.8
10	143.85	162.3	28B1-10	25	67	70	100	5.1	28B2-10	30	67	120	100	8.7	28B3-10	30	67	180	100	13.0
11	157.77	176.3	28B1-11	25	75	70	112	6.4	28B2-11	30	75	120	112	11.1	28B3-11	30	75	180	120	16.6
12	171.74	189.5	28B1-12	25	83	70	125	7.9	28B2-12	30	83	120	125	13.8	28B3-12	30	83	180	125	20.7
13	185.75	204.2	28B1-13	25	83	70	*125	9.1	28B2-13	30	83	120	*125	16.4	28B3-13	30	83	180	*125	24.8
14	199.76	218.2	28B1-14	25	87	70	*130	10.3	28B2-14	30	87	120	*130	19.2	28B3-14	30	87	180	*130	29.2
15	213.79	232.2	28B1-15	25	95	70	*145	11.9	28B2-15	30	95	120	*145	22.5	28B3-15	30	95	180	*145	34.4
16	227.84	246.3	28B1-16	30	107	75	*160	14.9	28B2-16	30	107	120	*160	26.3	28B3-16	30	107	180	*160	40.2
17	241.91	260.0	28B1-17	30	107	75	*160	16.0	28B2-17	30	107	120	*160	29.5	28B3-17	30	107	180	*160	45.5
18	255.98	274.0	28B1-18	30	107	75	*160	17.1	28B2-18	30	107	120	*160	32.9	28B3-18	30	107	180	*160	51.1
19	270.06	289.0	28B1-19	30	107	75	*160	18.3	28B2-19	30	120	120	*180	37.9	28B3-19	30	120	180	*180	58.5
20	284.15	303.0	28B1-20	30	107	75	*160	19.6	28B2-20	30	120	120	*180	41.7	28B3-20	30	120	180	*180	64.9
21	298.24	317.0	28B1-21	30	114	75	*170	21.8	28B2-21	30	120	120	*180	45.7	28B3-21	40	120	180	*180	70.8
22	312.34	331.0	28B1-22	30	114	75	*170	23.2	28B2-22	30	120	120	*180	50.0	28B3-22	40	120	180	*180	77.9
23	326.44	345.0	28B1-23	30	114	75	*170	24.7	28B2-23	30	120	120	*180	54.5	28B3-23	40	120	180	*180	85.4
24	340.55	359.0	28B1-24	30	114	75	*170	26.2	28B2-24	30	120	120	*180	59.2	28B3-24	40	120	180	*180	93.2
25	354.66	373.0	28B1-25	30	114	75	*170	27.9	28B2-25	30	120	120	*180	64.0	28B3-25	40	120	180	*180	102.0
26	368.77	387.0	28B1-26	30	114	75	*170	29.6	28B2-26	40	120	120	*180	69.2	28B3-26	40	120	180	*180	109.9
27	382.88	401.4	28B1-27	30	114	75	*170	31.3	28B2-27	40	120	120	*180	74.5	28B3-27	40	120	180	*180	118.8
28	397.00	416.0	28B1-28	30	114	75	*170	33.2	28B2-28	40	120	120	*180	80.0	28B3-28	40	120	180	*180	128.1
29	411.12	430.0	28B1-29	30	114	75	*170	35.0	28B2-29	40	120	120	*180	85.8	28B3-29	40	120	180	*180	138.0
30	425.24	444.0	28B1-30	30	114	75	*170	37.0	28B2-30	40	120	120	*180	91.3	28B3-30	40	120	180	*180	148.0
31	439.37	458.0	28B1-31	30	120	75	*180	40.1												
32	453.49	472.0	28B1-32	30	120	75	*180	42.2												
33	467.62	486.0	28B1-33	30	120	75	*180	44.4												
34	481.75	500.0	28B1-34	30	120	75	*180	46.6												
35	495.88	514.0	28B1-35	30	120	75	*180	48.9	28B2-35	40	134	120	*200	126.0	28B3-35	40	134	180	*200	205.0
36	510.01	529.0	28B1-36	30	120	75	*180	51.3												
37	524.14	543.0	28B1-37	30	120	75	*180	53.8												
38	538.27	557.0	28B1-38	30	120	75	*180	56.3	28B2-38	40	134	120	*200	148.5	28B3-38	40	134	180	*200	242.0
39	552.40	571.0	28B1-39	30	120	75	*180	58.9												
40	566.54	585.0	28B1-40	30	120	75	*180	61.6	28B2-40	40	134	120	*200	164.5	28B3-40	40	134	180	*200	270.0
45	637.22	656.0	28B1-45	30	120	90	*180	82.0	28B2-45	40	135	120	*200	210.0	28B3-45	40	135	180	*200	344.0
50	707.91	726.0	28B1-50	40	120	90	*180	98.0	28B2-50	40	135	120	*200	259.0	28B3-50	40	135	180	*200	427.0
57	806.89	825.0	28B1-57	40	125	100	*200	130.0	28B2-57	40	145	120	*220	340.0	28B3-57	40	145	180	*220	560.0

All dimensions in mm.

†Min. tolerated bore which can be machined in sprocket.

Steel Pinions 8 to 21 tooth minimum U.T.S. 600 N/mm² - Above 21T - 410N/mm²

Stock Sprockets can be reworked to customers bore and keyway requirements, on 48 hour service.

*Sprockets with asterisk on hub Ø may be of fabricated construction.

Steel pinions (other than fabricated types) 8 to 21 tooth can be supplied with teeth induction hardened to 45Rc.

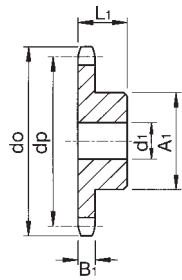
Tel +44(0) 121 360 0155

Fax +44(0) 121 325 1079

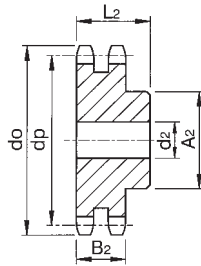
Email sales@crossmorse.com

Standard Sprockets for 2" Pitch British Standard Chains Type 32B

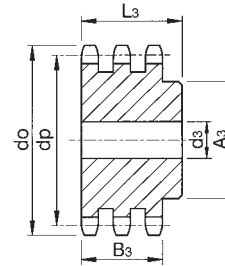
Conforming to ISO Std 606



Steel Pinion



Steel Pinion



Steel Pinion

Simplex Sprockets

Chain No. 32B-1
Pitch 50.8mm
Roller Dia. 29.21mm
Inside Width 30.99mm
Overall Width 68.6mm
Tooth Width B₁ 29.4mm

Duplex Sprockets

Chain No. 32B-2
Pitch 50.8mm
Roller Dia. 29.21mm
Inside Width 30.99mm
Overall Width 126.8mm
Tooth Width B₂ 87.4mm

Triplex Sprockets

Chain No. 32B-3
Pitch 50.8mm
Roller Dia. 29.21mm
Inside Width 30.99mm
Overall Width 185.0mm
Tooth Width B₃ 146.0mm

No. Teeth Z	Pitch Circle Ø dp	Outside Ø do	Simplex Sprocket						Duplex Sprocket						Triplex Sprocket					
			Cat. No.	Min. † Bore d ₁	Max. Bore d ₁	L.T.B. L ₁	Hub Ø A ₁	App. Weight kg	Cat. No.	Min. † Bore d ₂	Max. Bore d ₂	L.T.B. L ₂	Hub Ø A ₂	App. Weight kg	Cat. No.	Min. † Bore d ₃	Max. Bore d ₃	L.T.B. L ₃	Hub Ø A ₃	App. Weight kg
8	132.69	153.2	32B1-08	30	55	80	82	4.2	32B2-08	30	55	120	82	6.6	32B3-08	30	55	180	82	9.8
9	148.54	169.0	32B1-09	30	58	80	88	5.7	32B2-09	30	58	120	88	9.1	32B3-09	30	58	180	88	13.6
10	164.44	185.0	32B1-10	30	69	80	104	7.6	32B2-10	30	69	120	104	12.0	32B3-10	30	69	180	104	17.9
11	180.34	200.8	32B1-11	30	80	80	*120	9.2	32B2-11	35	80	120	120	14.7	32B3-11	35	80	180	120	22.1
12	196.29	216.8	32B1-12	30	90	80	*133	10.8	32B2-12	35	90	120	*133	17.8	32B3-12	35	90	180	*133	27.1
13	212.29	232.8	32B1-13	30	97	80	*145	12.9	32B2-13	35	97	120	*145	21.6	32B3-13	35	97	180	*145	32.8
14	228.29	248.8	32B1-14	30	103	80	*155	15.0	32B2-14	35	103	120	*155	25.5	32B3-14	35	103	180	*155	38.9
15	244.30	264.8	32B1-15	30	107	80	*160	16.8	32B2-15	35	107	120	*160	29.4	32B3-15	35	107	180	*160	45.2
16	260.40	280.9	32B1-16	30	107	90	*160	19.2	32B2-16	40	107	120	*160	33.0	32B3-16	40	107	180	*160	51.2
17	276.40	296.9	32B1-17	30	114	90	*170	21.9	32B2-17	40	120	120	*180	38.5	32B3-17	40	120	180	*180	59.5
18	292.55	313.0	32B1-18	30	114	90	*170	23.4	32B2-18	40	120	120	*180	42.9	32B3-18	40	120	180	*180	66.9
19	308.66	329.1	32B1-19	30	114	90	*170	25.0	32B2-19	40	134	120	*200	49.2	32B3-19	40	134	180	*200	76.3
20	324.71	345.2	32B1-20	30	120	90	*180	28.0	32B2-20	40	134	120	*200	54.2	32B3-20	40	134	180	*200	84.6
21	340.82	361.3	32B1-21	40	120	90	*180	29.8	32B2-21	40	134	120	*200	59.4	32B3-21	40	134	180	*200	93.3
22	356.98	377.5	32B1-22	40	120	90	*180	31.6	32B2-22	40	134	120	*200	65.0	32B3-22	40	134	180	*200	102.5
23	373.08	393.6	32B1-23	40	120	90	*180	33.6	32B2-23	40	134	120	*200	70.8	32B3-23	40	134	180	*200	112.2
24	389.18	409.7	32B1-24	40	120	90	*180	35.6	32B2-24	40	134	120	*200	76.9	32B3-24	40	134	180	*200	122.4
25	405.33	425.8	32B1-25	40	120	90	*180	37.7	32B2-25	40	134	120	*200	83.3	32B3-25	40	134	180	*200	133.0
26	421.44	441.9	32B1-26	40	120	90	*180	40.0	32B2-26	40	134	120	*200	89.9	32B3-26	40	134	180	*200	144.1
27	437.59	458.1	32B1-27	40	120	90	*180	42.3	32B2-27	40	134	120	*200	96.8	32B3-27	40	134	180	*200	155.6
28	453.69	474.2	32B1-28	40	120	90	*180	44.7	32B2-28	40	134	120	*200	104.0	32B3-28	40	134	180	*200	167.6
29	469.90	490.4	32B1-29	40	120	90	*180	47.2												
30	486.00	506.5	32B1-30	40	120	90	*180	49.7	32B2-30	40	134	120	*200	119.3	32B3-30	40	134	180	*200	193.0
32	581.26	538.8	32B1-32	40	120	90	*180	55.2												
35	566.72	589.5	32B1-35	40	120	90	*180	64.0												
38	615.14	635.5	32B1-38	40	120	90	*180	73.6	32B2-38	40	134	120	*200	176.0	32B3-38	40	134	180	*200	285.0
40	647.49	670.3	32B1-40	40	120	90	*180	80.5												
45	728.25	751.0	32B1-45	40	120	100	*180	112.7	32B2-45	40	140	120	*200	274.0	32B3-45	40	140	180	*200	449.0
50	809.04	831.8	32B1-50	40	120	100	*180	134.9	32B2-50	40	140	120	*200	338.0	32B3-50	40	140	180	*200	557.0
57	922.16	993.4	32B1-57	40	120	100	*180	187.1	32B2-57	40	145	120	*220	476.0	32B3-57	40	165	180	*250	782.0

All dimensions in mm.

Steel Pinions 8 to 21 tooth minimum U.T.S. 600 N/mm² - Above 21T - 410N/mm²

Stock Sprockets can be reworked to customers bore and keyway requirements, on 48 hour service.

*Sprockets with asterisk on hub Ø may be of fabricated construction.

Steel pinions (other than fabricated types) 8 to 21 tooth can be supplied with teeth induction hardened to 45Rc.

†Min. toleranced bore which can be machined in sprocket.