

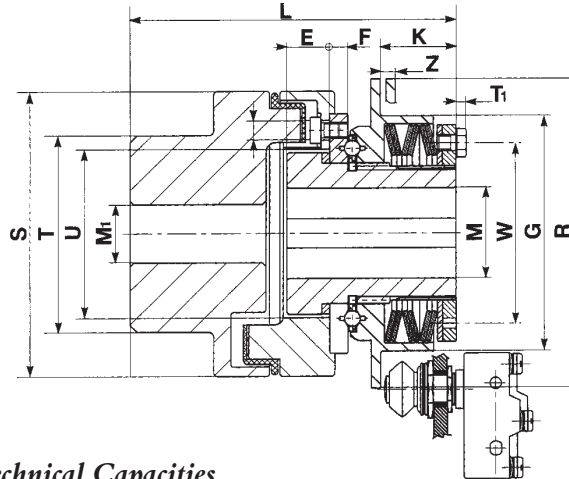
CS Mini Series Couplings



CS Mini Series Couplings

For shaft to shaft connection CS Mini series clutches are available with an elastomeric coupling for all the sizes and modes of operation, simple overload, synchronous overload. The elastomeric Coupling permits up to 1/2 degree of angular misalignment, with 0.3mm radial, and a maximum of 0.5mm axial. The rubber element absorbs peak shocks, providing greater accuracy in overload protection. Up to four torque ranges are available on each size of clutch, controlled by selection of the actuating spring set, providing a wide range of torque capacities to select from. The series is suitable for moderate speed applications with low radial forces and infrequent tripping. The design is suited to inline stop switch, or proximity switch, see page 26.

E-CC



CS Mini Series Couplings - Technical Capacities

Models*	Torque Range according to Spring Selection				Max. Speed		Bore Size mm			Weight kg	Inertia kgcm ²
	S Nm	M Nm	L Nm	U Nm	S/M rpm	L/U rpm	Clutch M		Cplg. M1 max		
							min	max			
CSF20E-CC CSY20E-CC	2.5-5.0 5-10	5-10 10-20	10-20 20-40	20-40	800 700	800 500	7	20	30	1.2	8
CSF25E-CC CSY25E-CC	6-12 12-25	12-25 25-50	25-55 50-100	55-100	800 700	700 450	10	25	35	2.5	21
CSF35E-CC CSY35E-CC	12-25 25-50	25-50 50-100	50-120 100-200	120-200	800 700	600 400	14	35	50	5.2	91
CSF45E-CC CSY45E-CC	25-50 50-10	50-100 100-200	100-250 200-400	250-400	800 650	500 300	18	45	60	10.0	205

*For clutch Part No. for ordering refer below

CS Mini Series Couplings - Dimensions

Models CSF/CSY	Dimensions												
	E	F	G	K	L ₁	N	R	S	T	T ₁	T ₂	U	W
20E-CC	11.5	5.5	53	21.7	84.5	50	80	67	46	2.8	7	37	38
25E-CC	16.5	7.0	74	23.2	98.0	57	100	82	53	3.5	8	48	54
35E-CC	16.5	7.0	88	29.0	132.0	65	120	112	79	4.0	10	66	70
45E-CC	22.0	8.0	114	34.5	155.0	81	150	128	90	4.0	10	81	86

Catalogue Part Numbers

To order Safeguard series clutches it is essential to identify clutch type, size (refers to max bore capacity), connection flange design, and spring ratings for correct torque, (see rating for each clutch).

Examples Clutch Reference **CSF 35A/M** is a Safeguard (type CSF) size 35, design A with M rated springs (25-50 Nm).

CSY 25E/L is a Synchron (type CSY) size 25, design E (Mini Series) with L rated springs (50-100 Nm).

Couplings are identified by suffix - CC, e.g. **CSY 25E/L - CC** is coupling version of above clutch. Clutches come with pilot bores, but can be supplied finish bored if specified on order.

Tel: +44 121 360 0155

Fax: +44 121 325 1079

Email: sales@crossmorse.com